



Technical Specifications

Models <ul style="list-style-type: none"> SD7313 (NTSC) SD7323 (PAL) 	Audio <ul style="list-style-type: none"> Compression: <ul style="list-style-type: none"> GSM-AMR speech encoding, bit rate: 4.75 kbps to 12.2 kbps MPEG-4 AAC audio encoding, bit rate: 16 kbps to 128 kbps Interface: <ul style="list-style-type: none"> External microphone input Audio output Supports two-way audio via SIP protocol Supports audio mute
System <ul style="list-style-type: none"> CPU: Bach SoC Flash: 8MB RAM: 64MB + 32MB Embedded OS: Linux 2.6 	Networking <ul style="list-style-type: none"> 10/100 Mbps Ethernet, RJ-45 Protocols: IPv4, IPv6, TCP/IP, HTTP, HTTPS, UPnP, RTSP/RTP/RTCP, IGMP, SMTP, FTP, DHCP, NTP, DNS, DDNS, PPPoE, CoS, QoS and 802.1X
Pan/Tilt/Zoom <ul style="list-style-type: none"> Pan range: 360° continuous rotation Tilt range: 0° ~ 90° flip Pan speed: 0.1° ~ 300°/sec Tilt speed: 0.1° ~ 120°/sec 35x optical zoom Auto pan mode Auto patrol mode 	Alarm and Event Management <ul style="list-style-type: none"> Triple-window video motion detection Four D/I and one D/O for external sensor and alarm Event notification using HTTP, SMTP or FTP Local recording of MP4 file
Lens <ul style="list-style-type: none"> 35x optical zoom lens, f = 3.4 ~ 119 mm, F1.4 (wide), F4.2 (tele), auto-iris, focus range: 10 mm (wide), 1,000 mm (tele) to infinity Removable IR-cut filter for day & night function 	On-board Storage <ul style="list-style-type: none"> SD/SDHC card slot Stores snapshots and video clips
Angle of View <ul style="list-style-type: none"> 1.7° ~ 55.8° (horizontal) 	Security <ul style="list-style-type: none"> Multi-level user access with password protection IP address filtering HTTPS encrypted data transmission 802.1X port-based authentication for network protection
Shutter Time <ul style="list-style-type: none"> 1/2 sec. ~ 1/30,000 sec. (SD7323) 	Users <ul style="list-style-type: none"> Live viewing for up to 10 clients
Image Sensor <ul style="list-style-type: none"> SONY 1/4" EXview HAD CCD sensor in D1 resolution 	Dimension <ul style="list-style-type: none"> Ø 200 mm x 270 mm
Minimum Illumination <ul style="list-style-type: none"> 1.0 Lux (F1.4, 1/60s) 1.0 Lux (F1.4, 1/50s) 0.1 Lux (F1.4, 1/4s) 0.05 Lux (F1.4, 1/2s) Approx. 0.01 Lux (B/W, F1.4, 1/4s, without IR-cut filter) 	Weight <ul style="list-style-type: none"> Net: 3,800 g
Video <ul style="list-style-type: none"> Compression: MJPEG & MPEG-4 Streaming: <ul style="list-style-type: none"> Simultaneous dual-streaming MPEG-4 streaming over UDP, TCP, HTTP or HTTPS MPEG-4 multicast streaming MJPEG streaming over HTTP or HTTPS Supports 3GPP mobile surveillance Frame rates: <ul style="list-style-type: none"> MPEG-4: Up to 30/25 fps at 704x480 (NTSC) /704x576 (PAL) MJPEG: Up to 30/25 fps at 704x480 (NTSC) /704x576 (PAL) 	LED Indicator <ul style="list-style-type: none"> System power and status indicator System activity and network link indicator
Image Settings <ul style="list-style-type: none"> Adjustable image size, quality, and bit rate Time stamp and text caption overlay Flip & mirror Configurable brightness, contrast, saturation, sharpness, white balance and exposure AGC, AWB, AES WDR (Wide Dynamic Range) EIS (Electronic Image Stabilizer) Automatic, manual or scheduled day/night mode BLC (Backlight Compensation) Supports 3D privacy masks 	Power <ul style="list-style-type: none"> 24V AC 2A 60 Hz/50 Hz Power consumption: Max. 45 W
	Housing <ul style="list-style-type: none"> Weather-proof IP66-rated housing
	Approvals <ul style="list-style-type: none"> CE, LVD, FCC, VCCI, C-Tick
	Operating Environments <ul style="list-style-type: none"> Temperature: -20 ~ 60 °C (-4 ~ 140 °F) Humidity: 90% RH
	Viewing System Requirements <ul style="list-style-type: none"> OS: Microsoft Windows 2000/XP/Vista Browser: Mozilla Firefox, Internet Explorer 6.x or above Cell Phone: 3GPP player Real Player: 10.5 or above Quick Time: 6.5 or above
	Installation, Management, and Maintenance <ul style="list-style-type: none"> Installation Wizard 2 32-CH ST7501 central management software Supports firmware upgrade
	Applications <ul style="list-style-type: none"> SDK available for application development and system integration
	Warranty <ul style="list-style-type: none"> 24 months

All specifications are subject to change without notice. Copyright © 2009 VIVOTEK INC. All rights reserved.

Speed Dome Network Camera

SD7313

35x Zoom · Outdoor · WDR · Day & Night

VIVOTEK's SD7313 (NTSC) / SD7323 (PAL) is a high performance speed dome network camera integrated with a SONY 35x zoom lens and Exview HAD CCD sensor. With its powerful zoom capability, this camera offers close-up images of distant objects in sharp detail. It is designed for professional outdoor surveillance applications where high reliability, sharp images, and weatherproofing (IP66 rated) are required.

Along with the high sensitivity SONY Exview HAD CCD sensor and incorporating a removable IR-cut filter, the SD7313/7323 is capable of detection at near infrared light region with great proficiency, drastically improving light efficiency, especially during nighttime. The WDR function enables the SD7313/7323 to generate identifiable images, overcoming the difficulties of challenging lighting conditions.

Featuring EIS (Electronic Image Stabilizer), the SD7313/7323 can mitigate the influence of vibration caused by winds or camera rotation so as to ensure stable and recognizable image quality at all times. The 3D privacy mask function guarantees that private areas are completely sheltered even when the camera pans, tilts, and zooms. When zooming in, the privacy mask will be enlarged to provide comprehensive blockage of the private area. In addition, the SD7313/7323 incorporates an SD/SDHC card slot so as to offer temporary on-board recording.

Similar to the advanced features of VIVOTEK's other cameras, the SD7313/7323 includes, 3GPP mobile surveillance, dual-codec, dual-stream, two-way audio via SIP protocol, digital I/O, 802.1X authentication for network protection, and USB joystick for remote PTZ control. With the VIVOTEK SD7313/7323, these exceptional features provide efficient operational flexibility to meet customers' needs in versatile surveillance applications both outdoors and indoors.



VIVOTEK INC.
6F, No.192, Lien-Cheng Rd., Chung-Ho, Taipei County, Taiwan
T: +886 2 82455282 | F: +886 2 8245532 | E: sales@vivotek.com

VIVOTEK USA, INC.
470 Lakeside Drive Suite C, Sunnyvale, CA 94085 USA
T: 408-773-8686 | F: 408-773-8298 | E: salesusa@vivotek.com

Ver 1.1



The Ultimate in Outdoor Surveillance

Astonishing Light Sensitivity

SD7313/7323 adopts a SONY Exview HAD CCD sensor capable of detecting and utilizing near infrared light for higher light efficiency. As a result, the sensor can provide superior image quality under poor lighting conditions compared to a conventional CCD sensor, especially during nighttime.



Conventional CCD



Exview HAD CCD

Remarkably Close-up Images of Distant Objects

Utilizing a 35x optical zoom lens, the SD7313/7323 can provide close-up images with exceptional detail and effectively extends your viewing distance. You can easily and quickly zoom in on distant objects or minute targets with unprecedented precision and quality, even when enlarged.



35x Zoom

Adapted for High-contrast Lighting Conditions

SD7313/7323 offers a WDR (Wide Dynamic Range) function that delivers identifiable images in high-contrast environments such as backlight, glare, and light reflection. By capturing and combining information from the darkest and brightest areas of the environment, the SD7313/7323 generates images that accurately reproduce fine details appearing in the actual scene.



Normal



WDR

Clear Images 24/7

SD7313/7323 delivers true day & night functionality with a built-in removable IR-cut filter and IR illuminators. By day, the IR-cut filter screens out infrared light to reduce color distortion, and at night, the filter is removed and the IR illuminators are activated to enhance light sensitivity.



Day



Night

Stable Image Quality during Vibration

SD7313/7323 is incorporated with the EIS (Electronic Image Stabilizer) feature that maintains image quality during wind- or traffic-induced vibration. Through correction of the image position caused by shaking or movement, the SD7313/7323 guarantees stable and recognizable image quality when placed in high locations, such as on a pole, or in areas with heavy traffic.



Normal



EIS

Maximum Protection against Natural Threats

SD7313/7323's weather-proof IP66-rated housing provides protection from extreme weather conditions, dust, and moisture. It offers total protection against contamination and withstands water jet ingress, allowing SD7313/7323 to operate outdoors without any worries.



Seamless Protection for Private Areas

Unlike conventional privacy masks, the coverage of SD7313/7323's 3D privacy mask changes with the camera movement so as to fully protect sensitive information or areas. When zooming in and out, the privacy mask will enlarge and shrink respectively. As a result, private areas can be completely sheltered even when the camera pans, tilts, and zooms.



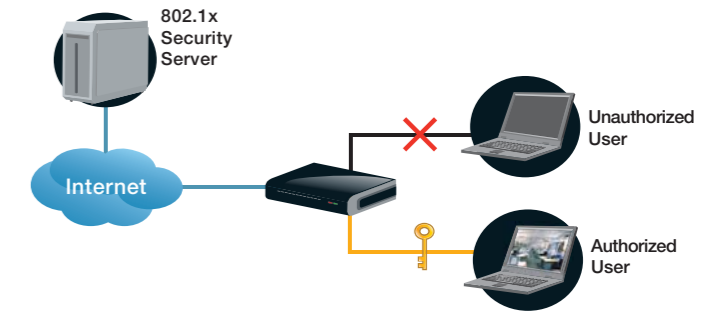
Normal



3D Privacy Mask After Zoom In

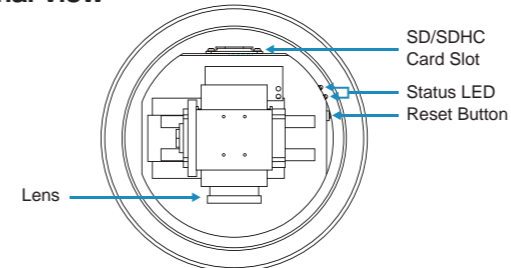
Strong Video Access Protection

SD7313/7323 supports the 802.1X standard that authenticates the identity of each user requesting to access video images. This function prevents unauthorized or unauthenticated users from accessing important video data, providing a higher level of data security.

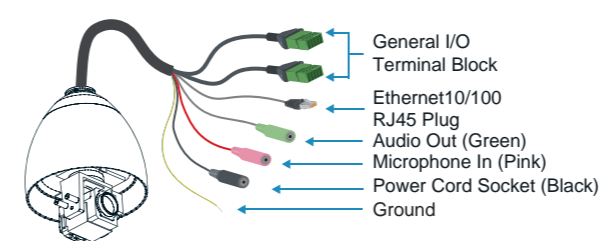


Physical Description

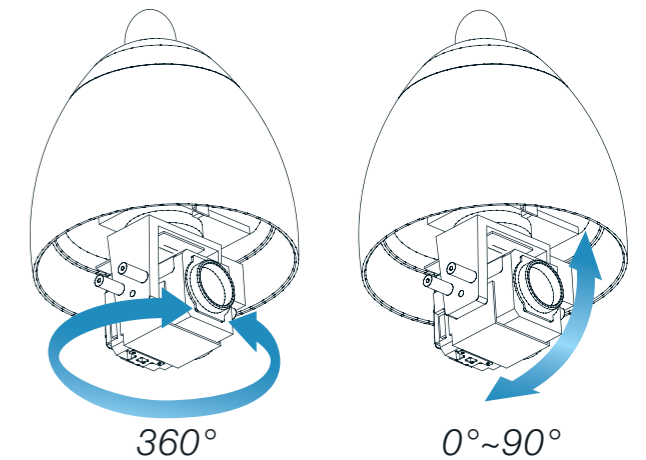
Internal View



Connectors



Pan range: 360° Continuous Rotation
Tilt range: 0°~90° Flip



Product Features

- SONY EXview HAD CCD Sensor in D1 Resolution
- 35x Zoom Lens
- 360° Continuous Pan and 90° Tilt
- WDR (Wide Dynamic Range) for High Contrast Environments
- Removable IR-cut Filter for Day & Night Function
- Weather-proof IP66-rated Housing
- EIS (Electronic Image Stabilizer) for Ultimate Video Experience
- 3D Privacy Masks for Private Area Protection
- Real-time MPEG-4 and MJPEG Compression (Dual Codec)
- Dual Streams Simultaneously
- 802.1X Port-based Authentication for Network Protection
- 3GPP Mobile Surveillance
- Two-way Audio via SIP Protocol
- Built-in SD/SDHC Card Slot for On-board Storage

